

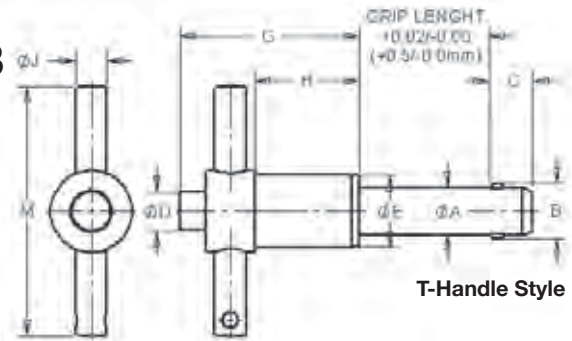


# Heavy Duty T&L Handle Pins 17985, 17986, NAS1333-NAS1343

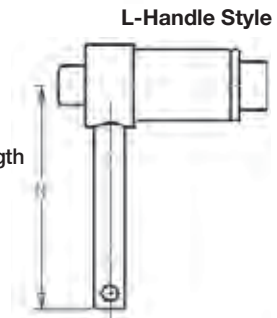
C2=Stainless T Handle  
C5=Stainless L Handle



- Also known as Ground Handling Pins
- Heavy Duty welded handle provides additional impact resistance
- Includes split ring for easy attachment of optional lanyard.
- 303 Series Stainless Steel handle and button provide additional corrosion resistance
- Body is made from high Strength Stainless Steel, 17-4 PH heat treated.
- Meets or exceeds NASM 23460 specifications
- May be ordered with 4 locking balls for additional locking element tensile strength



T-Handle Style



L-Handle Style

## Heavy Duty T&L Handle Specifications – Inch

Nom Pin Dia	Pin Dia A		±0.005 B	+0.00/-0.04 C	D	E	G	H	J	M	N
	Min	Max									
3/16 (#10)	.1870	.1885	.220	.260	1/4	7/16	1 1/4	13/16	3/16	1 15/16	1 3/4
1/4	.2470	.2485	.289	.290	1/4	7/16	1 1/4	13/16	3/16	1 15/16	1 3/4
5/16	.3095	.3110	.375	.330	1/4	7/16	1 1/4	13/16	3/16	1 15/16	1 3/4
3/8	.3720	.3735	.440	.365	5/16	9/16	1 11/32	13/16	1/4	1 15/16	1 3/4
7/16	.4345	.4360	.509	.380	5/16	9/16	1 11/32	13/16	1/4	2 1/8	1 3/4
1/2	.4970	.4985	.594	.460	7/16	11/16	1 7/16	13/16	1/4	2 3/8	1 31/32
9/16	.5595	.5610	.666	.510	7/16	11/16	1 7/16	13/16	1/4	2 3/8	1 31/32
5/8	.6220	.6235	.750	.580	1/2	15/16	1 11/16	31/32	5/16	2 7/8	2 15/32
3/4	.7470	.7485	.887	.670	37/64	15/16	1 23/32	31/32	5/16	2 7/8	2 15/32
7/8	.8720	.8735	1.046	.760	3/4	1 3/16	2 5/32	1 1/4	3/8	3 1/4	2 13/16
1	.9970	.9985	1.219	.890	3/4	1 3/16	2 5/32	1 1/4	3/8	3 1/4	2 13/16

## Heavy Duty T&L Handle Specifications – Metric

Nom Pin Dia	Pin Dia A ± 0.13		+0.0/- 1.0 B	C	D	E	G	H	J	M	N
	Min	Max									
5	4.92	4.96	5.54	6	6.5	10.8	31.7	20.4	4.76	49.5	44.5
6	5.92	5.96	6.99	7	6.5	10.8	31.7	20.4	4.76	49.5	44.5
8	7.92	7.96	9.40	8	6.5	10.8	31.7	20.4	4.76	49.5	44.5
10	9.92	9.96	11.86	9	7.7	14.2	34.1	21.0	6.35	49.5	44.5
12	11.92	11.96	14.45	10	7.7	14.2	34.2	21.0	6.35	54.1	50.0
16	15.92	15.96	19.00	14	12.4	23.9	42.6	24.6	7.94	73.2	62.7
20	19.92	19.96	24.08	17	12.4	23.9	42.6	24.9	7.94	73.2	62.7
25	24.92	24.96	30.94	22	19.2	30.0	53.4	30.2	9.53	82.3	71.0

Dimensions in millimeters

May be ordered with 4 locking balls for additional locking element tensile strength.  
Special Materials, grip length and longer “C” dimensions upon request.



Heavy Duty T-Handle – Inch

Table with columns: Pin Dia, Grip Length (inches) [0.5, 0.75, 1, 1.25, 1.5, 1.75, 2, 2.5, 3, 4, 5, 6]. Rows include pin diameters 3/16, 1/4, 5/16, 3/8, 7/16, 1/2, 9/16, 5/8, 3/4, 7/8, 1.

Heavy Duty L-Handle – Inch

Table with columns: Pin Dia, Grip Length (inches) [0.5, 0.75, 1, 1.25, 1.5, 1.75, 2, 2.5, 3, 4, 5, 6]. Rows include pin diameters 3/16, 1/4, 5/16, 3/8, 7/16, 1/2, 9/16, 5/8, 3/4, 7/8, 1.

Heavy Duty T-Handle – Metric

Table with columns: Pin Dia, Grip Length (mm) [10, 15, 20, 25, 30, 40, 50, 60, 70, 80, 90, 100]. Rows include pin diameters 5, 6, 8, 10, 12, 16, 20, 25.

Heavy Duty L-Handle – Metric

Table with columns: Pin Dia, Grip Length (mm) [10, 15, 20, 25, 30, 40, 50, 60, 70, 80, 90, 100]. Rows include pin diameters 5, 6, 8, 10, 12, 16, 20, 25.

Contact customer service for special sizes & materials.

May be ordered with 4 locking balls for additional locking element tensile strength.